



Parabolic antenna JRMB - 900 -17

Antenna JRMB – 900 – 17 is designed for microwave links at the frequency band 17 GHz. Precise performance with deep reflector dish is complying with standard ETSI EN 302-217-4-2 class 2. High cross-port isolation allows use system with polarizing separation.

Electrical parameters:

Frequency range	17.1 – 17.3 GHz
Gain – 17.1 / 17.3 GHz	41.0 dBi / 41.8 dBi
Side lobe level	≤ 15 dB
Front to back ratio	≥ 58 dB
Beamwidth_{-3 dB}	1.4°
Cross-port isolation	≥ 45 dB
Polarization	Vertical / Horizontal
Return loss (VSWR)	≥ 18 dB (≤ 1,3)
ETSI standard	EN 302-217-4-2 v1.5.1 Class 2

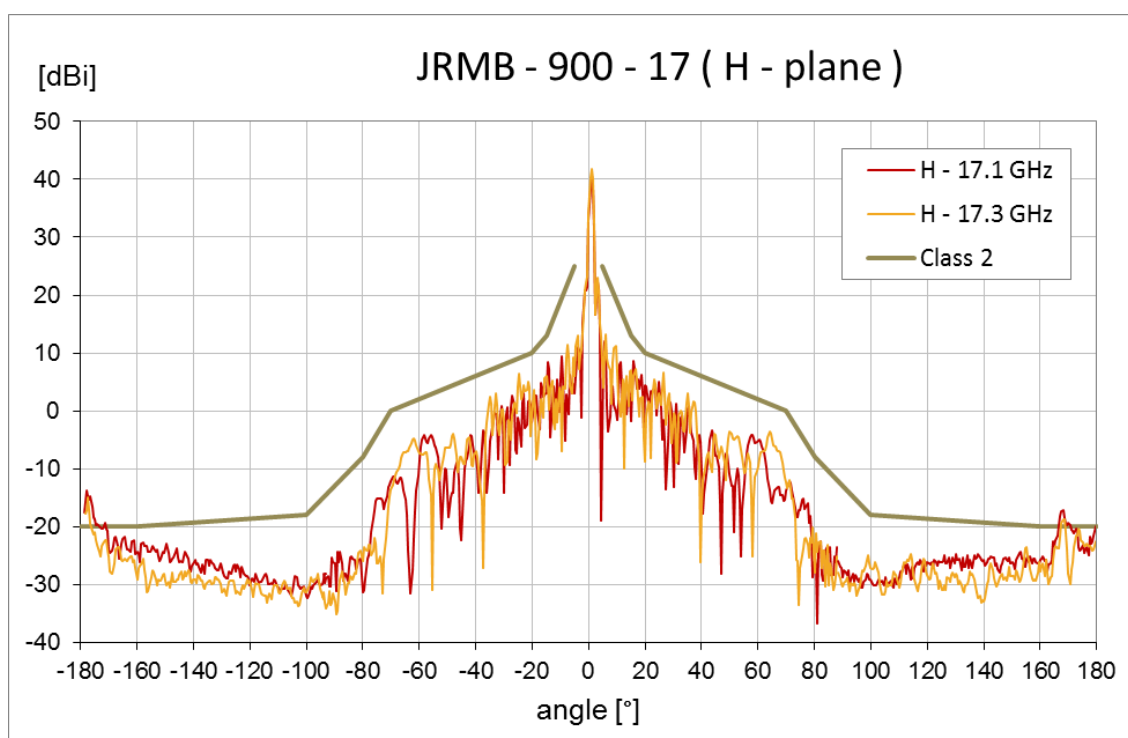
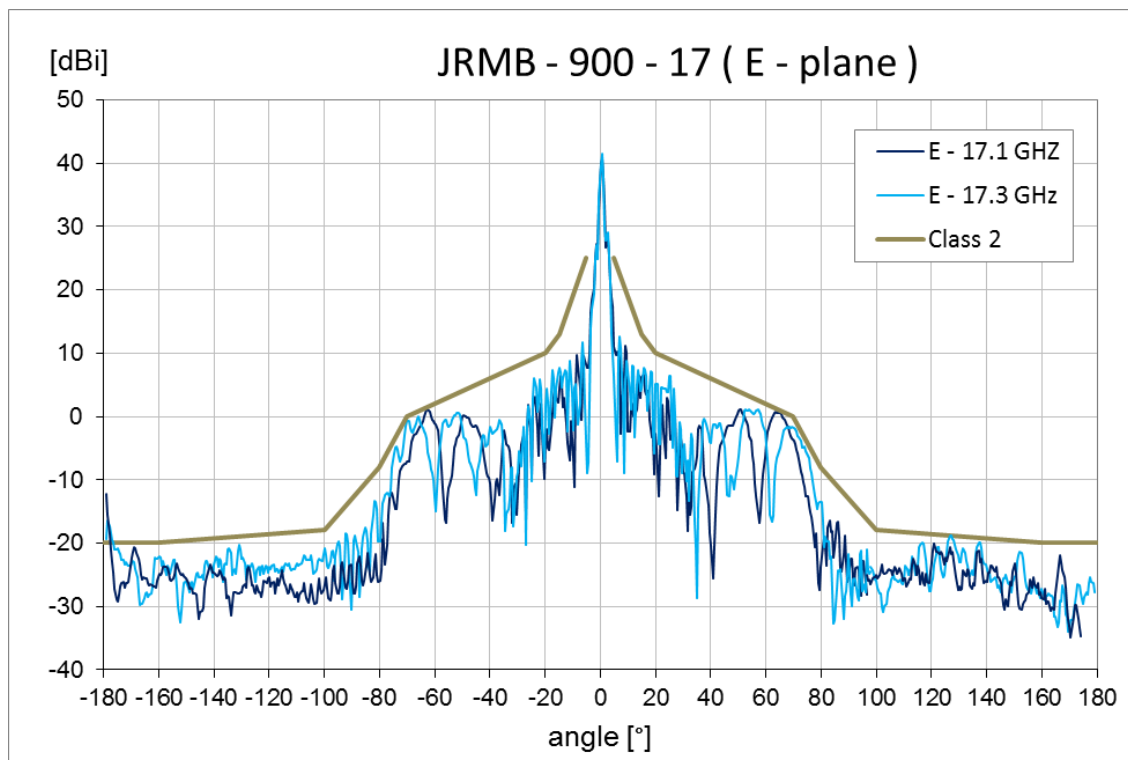
Mechanical parameters:

Parabola	Ø 900 mm , aluminium alloy
Depth of parabola	331 mm
Cover	UV steady plastic ABS
Input / output	Circle waveguide Ø 11 mm
Installation for mast	Ø 40 - 120 mm
Operating wind load	140 km/h
Survival wind load	210 km/h
Weight of antenna of holder	12.44 kg (27.42 lbs.) 4.3 kg (9.48 lbs.)
Shipping dimensions	1000 mm x 1000 mm x 490 mm

The antenna is supplied together with a massive holder that allows easy mounting on a mast. Holder can be installed separately on the mast. Subsequently, you can simply hang up the antenna with microwave unit into it. Whole antenna system has extreme wind stability. We recommend mounting on the mast with minimal Ø 70 mm in the areas with the occurrence of the adverse weather conditions. Holder allows fine setting elevation (of gradient) and azimuth ± 20°. It is possible to mount to right and left side.

Parabolic antenna JRMB - 900 - 17

Measurements of radiation pattern:



Parabolic antenna JRMB - 900 -17

Outline:

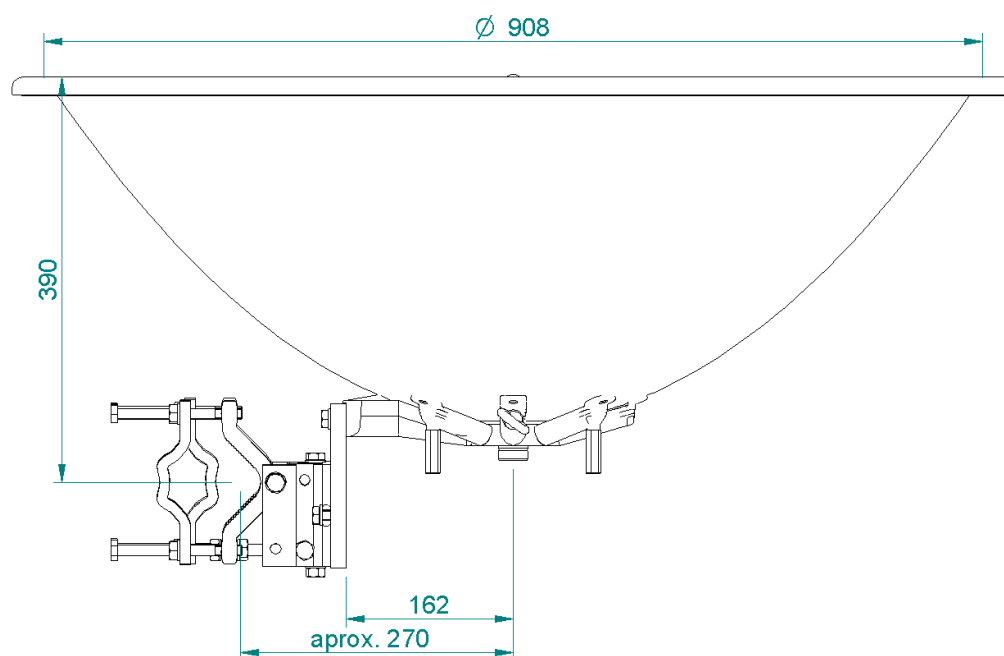


Fig. 1 Antenna dimensions

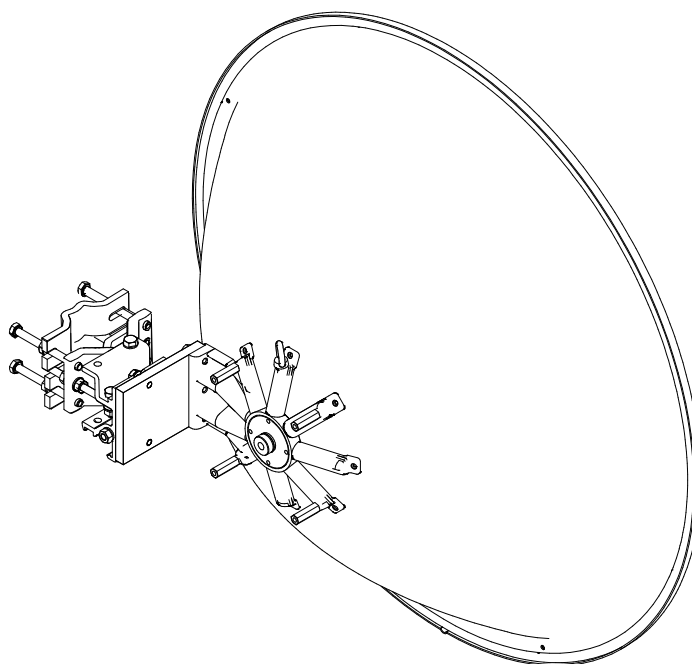


Fig. 2 Antenna with massive holder (back side)