



Parabolic antenna JRMB-400-24

Antenna JRMB-400-24 is designed for microwave links at the frequency band 24 GHz. Precise performance with deep reflector dish is complying with standard ETSI EN 302-217-4-2 class 2. High cross-port isolation allows use system with polarizing separation.

Electrical parameters:

Frequency range	24.0 – 24.25 GHz
Gain	36.8 ± 0.5 dBi
Side lobe level	≤ 16 dB
Front to back ratio	≥ 45 dB
Beamwidth_{-3 dB}	2.0°
Cross-port isolation	≥ 45 dB
Return loss (VSWR)	≥ 15 dB (≤ 1.5)
Polarization	Vertical / Horizontal
ETSI standard	EN 302-217-4-2 v1.5.1 Class 2

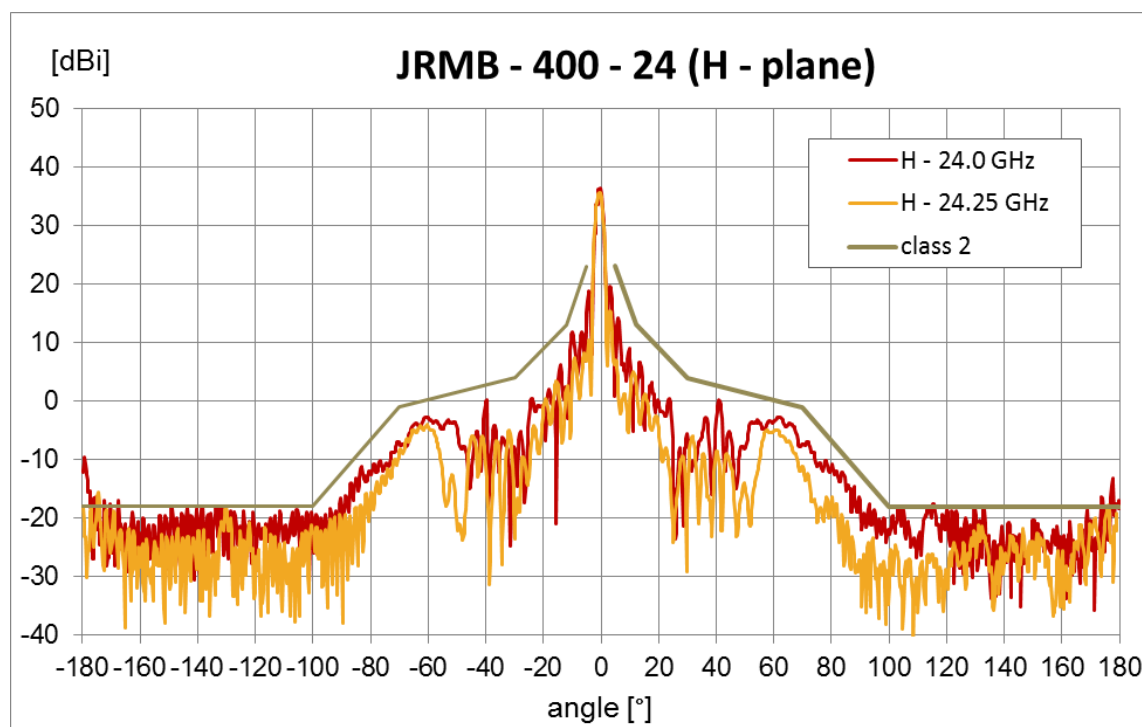
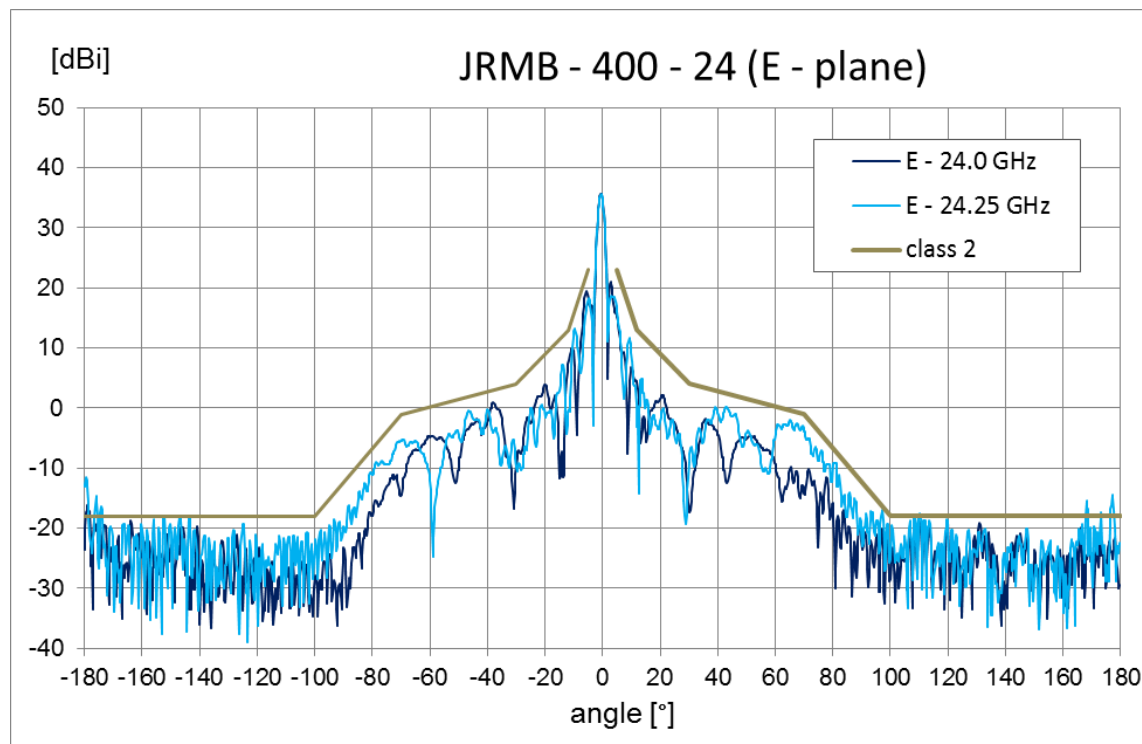
Mechanical parameters:

Parabola	Ø 400 mm, Aluminium alloy
Cover	UV steady plastic ABS
Input / output	Circle waveguide Ø 8 mm
Installation for mast	Ø 40 - 120 mm
Operating wind load	180 km/h
Survival wind load	240 km/h
Weight of antenna	4.9 kg (10.8 lbs.)
of holder	3.5 kg (7.7 lbs.)
Shipping dimensions	485 mm x 485 mm x 350 mm

The antenna is supplied together with a massive holder that allows easy mounting on a mast. Holder can be installed separately on the mast. Subsequently, you can simply hang up the antenna with microwave unit into it. Whole antenna system has extreme wind stability. Holder allows fine setting elevation (of gradient) and azimuth ± 20°. It is possible to mount to right and left side.

Parabolic antenna JRMB-400-24

Measurements of radiation pattern:



Parabolic antenna JRMB-400-24

Outline:

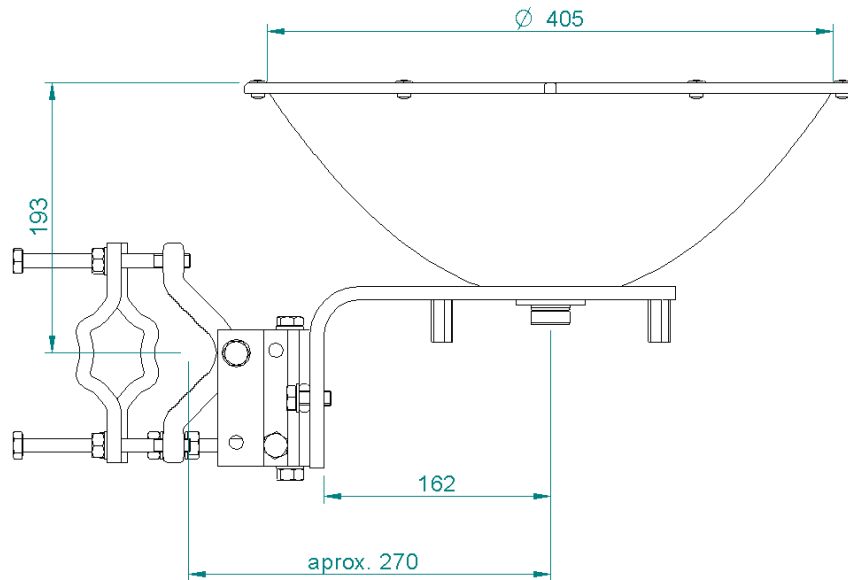


Fig. 1 Antenna dimensions

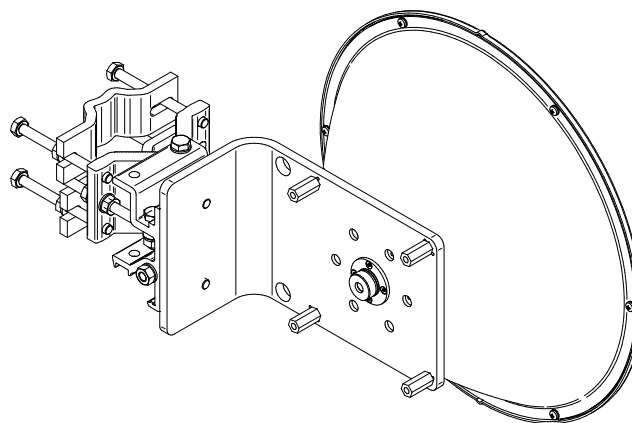


Fig. 2 Antenna with massive holder (back side)