



## Parabolic antenna JRMB - 400 -17

Antenna JRMB – 400 – 17 is designed for microwave links at the frequency band 17 GHz. Precise performance with deep reflector dish is complying with standard ETSI EN 302-217-4-2 class 2. High cross-port isolation allows use system with polarizing separation.

### Electrical parameters:

<b>Frequency range</b>	17.1 – 17.3 GHz
<b>Gain</b>	34.8 ± 0.5 dBi
<b>Side lobe level</b>	≤ 15 dB
<b>Front to back ratio</b>	≥ 54 dB
<b>Beamwidth<sub>-3 dB</sub></b>	2.0°
<b>Cross-port isolation</b>	≥ 45 dB
<b>Return loss (VSWR)</b>	≥ 18 dB ( ≤ 1,3)
<b>Polarization</b>	Vertical / Horizontal
<b>ETSI standard</b>	EN 302-217-4-2 v1.5.1 Class 2

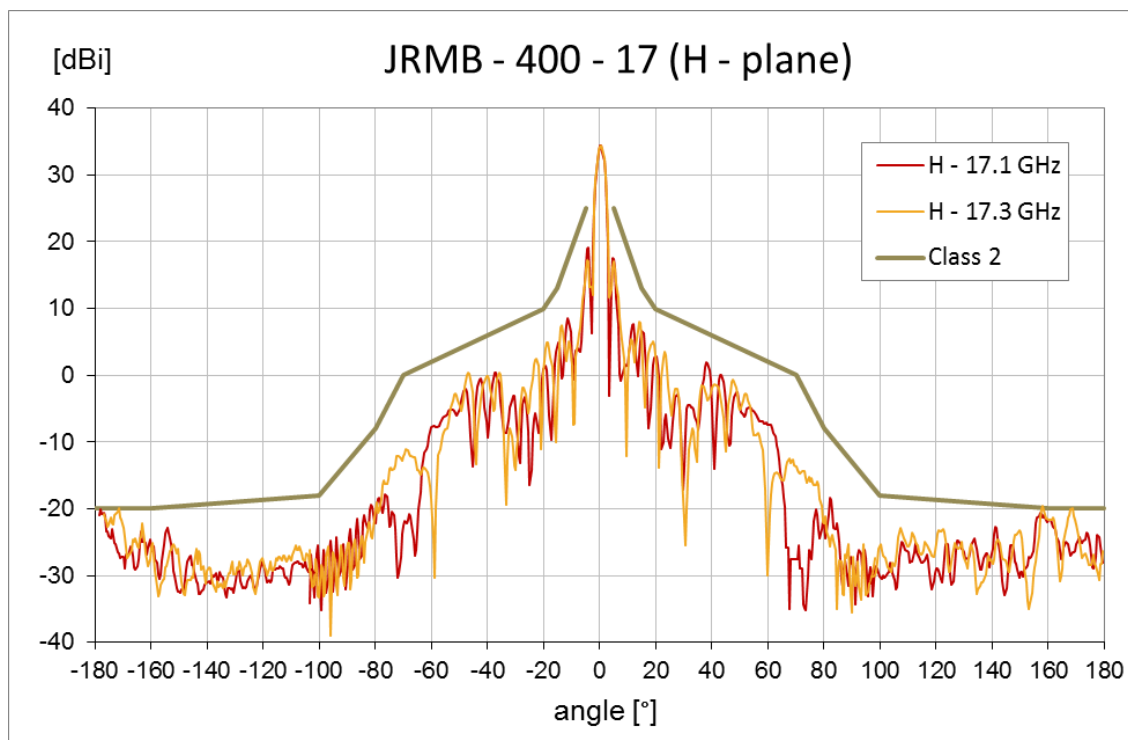
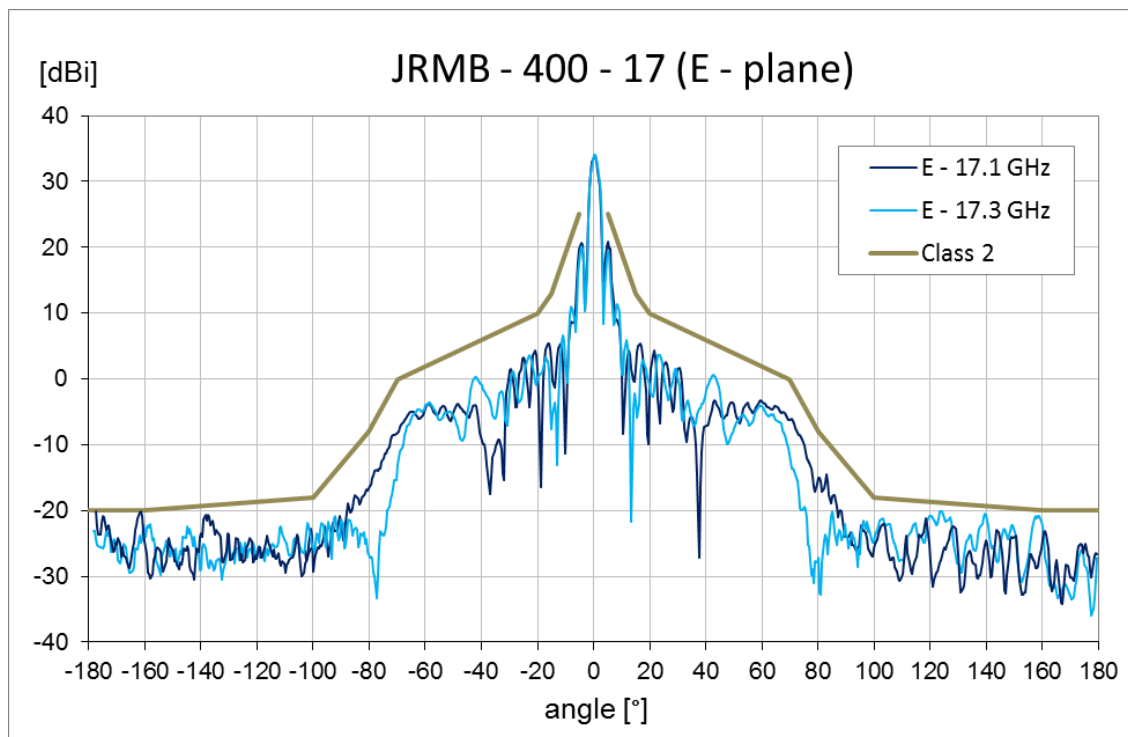
### Mechanical parameters:

<b>Parabola</b>	Ø 400 mm, Aluminium alloy
<b>Cover</b>	UV steady plastic ABS
<b>Input / output</b>	Circle waveguide Ø 11 mm
<b>Installation for mast</b>	Ø 40 - 120 mm
<b>Operating wind load</b>	180 km/h
<b>Survival wind load</b>	240 km/h
<b>Weight of antenna</b>	4.8 kg (10.6 lbs.)
<b>of holder</b>	3.5 kg (7.7 lbs.)
<b>Shipping dimensions</b>	485 mm x 485 mm x 350 mm

The antenna is supplied together with a massive holder that allows easy mounting on a mast. Holder can be installed separately on the mast. Subsequently, you can simply hang up the antenna with microwave unit into it. Whole antenna system has extreme wind stability. Holder allows fine setting elevation (of gradient) and azimuth ± 20°. It is possible to mount to right and left side.

# Parabolic antenna JRMB - 400 - 17

## Measurements of radiation pattern:



## Parabolic antenna JRMB - 400 -17

### Outline:

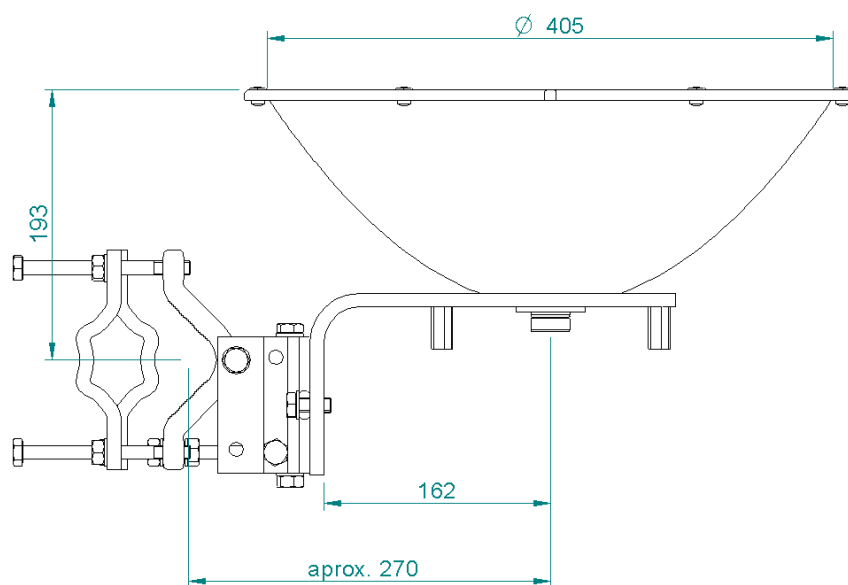


Fig. 1 Antenna dimensions

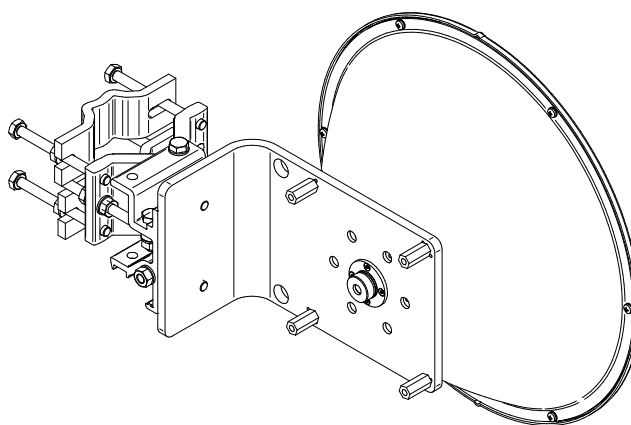


Fig. 2 Antenna with massive holder (back side)